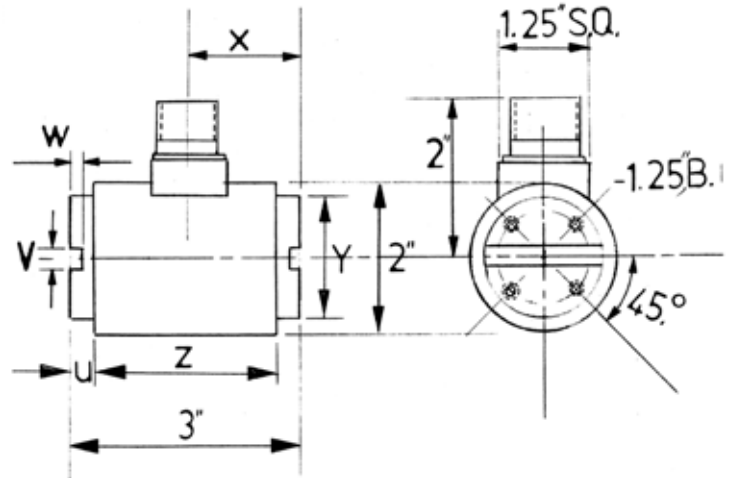


REACTION TORQUE SENSORS

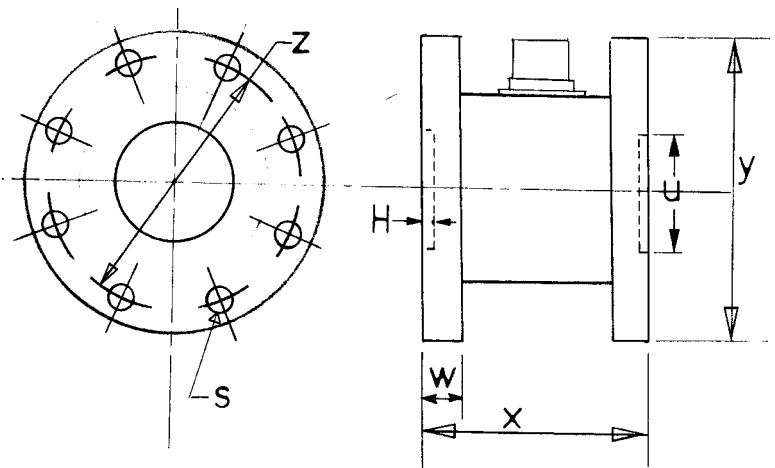
SPECIFICATIONS:

Capacities:	50 to 1000 in.lb (57.6 to 1152 Kg.cm)
Bridge Resistance:	350Ω nominal
Bridge Excitation:	10 VDC (15 VDC Max.)
Bridge Output:	2mV/V nominal
Comp. Temp.:	15°F to 150°F (9°C to 65°C)
Usable Range:	-50°F to 200°F (-45°C to 93°C)
Special Option:	-400°F to 500°F (260°C)
Zero shift due to temp:	±0.004% F.S./°F (0.0072% F.S./°C)
Temp. effect on O.P.:	±0.004% F.S./°F (0.0072% F.S./°C)
Non-Linearity:	±0.1% F.S.
Hysteresis:	±0.1% F.S.
Non-Repeatability:	±0.1% F.S.



In.lb (Kg.cm)	Model	X	Y	Z	U	V	W
50 (58)	ALDTB-50	1 1/4" / 31.75mm	1 5/8" / 41.27mm	2.4" / 61mm	5/16" / 7.937mm	0.251" / 6.375mm	9/64" / 3.572mm
100 (115)	ALDTB-100	ALL MODELS 50 TO 1000 HAVE IDENTICAL DIMENSTIONS.					
200 (230)	ALDTB-200	#10-24 UNC-3/8" DEEP (M5 X 0.8 - 9.5mm). 4 HOLES EQUALLY SPACED AS SHOWN - BOTH ENDS.					
500 (576)	ALDTB-500						
1000 (1152)	ALDTB-1000						

Capacities:	2K to 300K in.lb (57.6 to 1152 kg.cm)
Bridge Resistance:	350Ω nominal
Bridge Excitation:	10 VDC (15 VDC Max.)
Bridge Output:	2mV/V nominal
Comp. Temp.:	15°F to 150°F (9°C to 65°C)
Usable Range:	-50°F to 200°F (-45°C to 93°C)
Special Option:	-400°F to 500°F (260°C)
Zero shift due to temp:	±0.004% F.S./°F (0.0072% F.S./°C)
Temp. effect on O.P.:	±0.004% F.S./°F (0.0072% F.S./°C)
Non-Linearity:	±0.1% F.S.
Hysteresis:	±0.1% F.S.
Non-Repeatability:	±0.1% F.S.



in.lb	Model	X	Y	Z	U	H	W	S
2,000	ALDTF-2K	3" / 76.2mm	4" / 101.6mm	3.25" / 82.55mm	1.5" / 38.1mm	0.125" / 3.17mm	0.5" / 12.7mm	21/64 / 9mm
5,000	ALDTF-5K	3" / 76.2mm	4" / 101.6mm	3.25" / 82.55mm	1.5" / 38.1mm	0.125" / 3.17mm	0.5" / 12.7mm	21/64 / 9mm
10,000	ALDTF-10K	3.5" / 88.9mm	5" / 127mm	4.25" / 107.9mm	2" / 50.8mm	0.25" / 6.35mm	0.75" / 19.05mm	25/64 / 10mm
20,000	ALDTF-20K	3.5" / 88.9mm	5" / 127mm	4.25" / 107.9mm	2" / 50.8mm	0.25" / 6.35mm	0.75" / 19.05mm	25/64 / 10mm
50,000	ALDTF-50K	7.5" / 88.9mm	8" / 203.7mm	6.5" / 165.1mm	3.5" / 88.9mm	0.31" / 7.8mm	1.5" / 38.1mm	41/64 / 17mm
100,000	ALDTF-100K	7.5" / 88.9mm	8" / 203.7mm	6.5" / 165.1mm	3.5" / 88.9mm	0.31" / 7.8mm	1.5" / 38.1mm	41/64 / 17mm
200,000	ALDTF-200K	8.5" / 215.9mm	10" / 254mm	8" / 203.2mm	4" / 101.6mm	0.31" / 7.8mm	1.5" / 38.1mm	49/64 / 20mm
300,000	ALDTF-300K	10.5" / 266.7mm	14" / 355.6mm	11" / 279.4mm	6" / 152.4mm	0.31" / 7.8mm	2" / 50.8mm	1 1/64 / 26mm

A.L. Design, Inc. 1411 Military Road • Buffalo, NY 14217-1395
 Phone (716) 875-6240 • Fax (716) 875-2404
<http://www.aldesigninc.com>