

INTERNALLY-GAGED BOLTS: ALD-DYNAGAGE

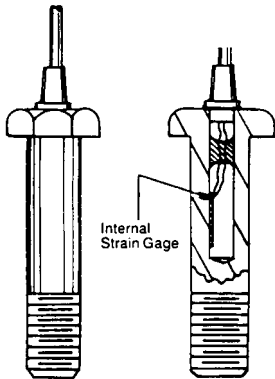
The ALD-DYNAGAGE is a specially designed, internally gaged bolt to measure dynamic or static tension, compression, or bending loads.

The original load carrying capacity of the bolts are unimpaired since the central hole is so small that the net stress area of the shank is approximately the same as the stress area of the threaded portion.



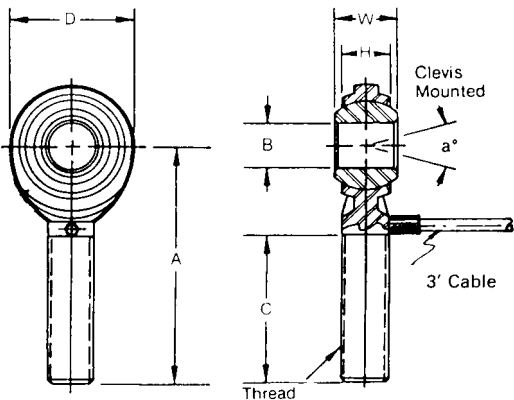
SPECIFICATIONS:

Temp. Compensation: Between 15°F and 150°F gage factor varies less than 0.5%
 Excitation: 10 VDC
 Temperature Range: 15°F to 150°F
 Configuration: Full Bridge, 4 internal strain gages
 High Temp. Option: 400°F
 Bridge Resistance: 350Ω. Full Internal Wheatstone Bridge



Bolt Diameter (inches)	Strength (lb)
1/4	2070
5/16	3410
3/8	5040
7/16	6910
1/2	9220
9/16	11,800
5/8	14,700
3/4	21,700
7/8	30,000
1	39,400

ALD-EYE-ROD END



SPECIFICATIONS:

Output resistance: 350Ω
 Input Resistance: 350Ω
 Excitation: 10 VDC
 Compensated Temp. Range: 15°F to 150°F
 Safe Overload: 150% Rated Capacity
 Ultimate Overload: 250% Rated Capacity
 Zero Balance: Better than 1% F.S.

DIMENSIONS IN INCHES

B +0.0025 to -0.0005	W ±0.005	H Ref.	A ±0.015	D ±0.010	Ball Dia. Ref.	C +0.062 to -0.031	Thread, UNF-3A	a° Misalign Angle	Radial Static Load Capacity (lb)
0.1900	0.312	0.234	1.250	0.625	0.437	0.750	10-32	17	1,170
0.2500	0.375	0.265	1.562	0.750	0.500	1.000	¼-28	21	2,157
0.3125	0.437	0.328	1.875	0.875	0.625	1.250	5/16-24	17	3,469
0.3750	0.500	0.359	1.938	1.000	0.719	1.250	3/8-24	19	4,916
0.4375	0.562	0.406	2.125	1.125	0.812	1.375	7/16-20	18	6,162
0.5000	0.625	0.453	2.438	1.312	0.937	1.500	½-20	17	8,075
0.6250	0.750	0.500	2.625	1.500	1.125	1.625	5/8-18	22	9,509
0.7500	0.875	0.625	2.875	1.750	1.312	1.750	¾-16	18	13,831

A.L. Design, Inc. 1411 Military Road • Buffalo, NY 14217-1395
 Phone (716) 875-6240 • Fax (716) 875-2404
<http://www.aldesigninc.com>