

# LOAD WASHERS-MODEL: ALD-W



The ALD-W load washers are compact temperature compensated load transducers designed to approximate the configuration of regular bolt washers.

The unit has a full Wheatstone Bridge circuit. The strain sensitive elements are attached to a load column resulting in the most favored configuration for linearity and temperature compensation.

The ALD-W Load Washers when used with the ALD-Load Indicator become a complete system for static and dynamic load measurements.

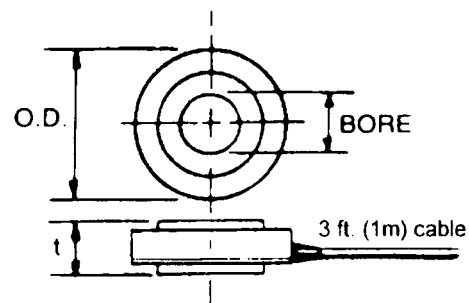
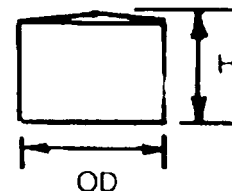
## SPECIFICATIONS:

*With hardened stainless steel load buttons*

Output resistance:	350Ω nominal 700Ω for sizes above 20,000 Lbs.
Input resistance:	350Ω nominal 700Ω for sizes above 20,000 Lbs.
Excitation:	10VDC, depending on model
Temp. Range:	15°F to 150°F (-10°C to 65°C)
Save overload:	150% of rated capacity
Non-Repeatability:	±0.15% F.S.
Non-Linearity:	±0.15% F.S.
Hysteresis:	±0.15% F.S.
Sensitivity:	2mV/V (Nominal)
Bridge Resistance:	350Ω or 700Ω
High sensitivity option:	50mV/V (Nominal)
High temp. option:	400°F
Low temp. option:	-400°F

## FEATURES:

- Weighing Systems
- Bolt Stresses
- Monitoring Overloads
- Clamping Forces
- Die Loads
- Structural Loads



For best results, use a Load Button and a base with the Load Washer.  
Load Buttons are included with all Load Washer Orders.

## DIMENSIONS: (Load cells with capacities as low as 1 oz. are available)

Model #	Rated Capacity	Bore	O.D.	t	H
ALD-W-2	200 lb / 100 kg	0.40" / 10.16 mm	1.0"/25.4 mm	0.35" / 8.9 mm	0.325" / 8.26 mm
ALD-W-5	500 lb / 250 kg	0.40" / 10.16 mm	1.0"/25.4 mm	0.35" / 8.9 mm	0.375" / 9.53 mm
ALD-W-10	1000 lb / 500 kg	0.40" / 10.16 mm	1.0"/25.4 mm	0.35" / 8.9 mm	0.50" / 12.7 mm
ALD-W-20	2000 lb / 1000 kg	0.40" / 10.16 mm	1.0"/25.4 mm	0.35" / 8.9 mm	0.50" / 12.7 mm
ALD-W-50	5000 lb / 2500 kg	0.40" / 10.16 mm	1.0"/25.4 mm	0.35" / 8.9 mm	0.50" / 12.7 mm
ALD-W-100	10000 lb / 5000 kg	0.40" / 10.16 mm	1.0"/25.4 mm	0.35" / 8.9 mm	0.50" / 12.7 mm
ALD-W-200	20000 lb / 10000 kg	0.50" / 12.7 mm	1.2" / 30.48 mm	0.4" / 10.1 mm	0.76" / 19.3 mm
ALD-W-500	50000 lb / 25000 kg	0.76" / 19.3 mm	1.75" / 44.45 mm	0.5" / 12.7 mm	1.0" / 25.4 mm
ALD-W-1000	100,000 lb / 50000 kg	1.01" / 25.65 mm	2.25" / 57.15 mm	0.7" / 17.8 mm	1.5" / 38.1 mm
ALD-W-2000	200,000 lb / 100,000 kg	1.50" / 38.1 mm	3.0" / 76.2 mm	1.25" / 31.8 mm	2.0" / 50.8 mm

## OPTIONS:

Water Proofing, to allow underwater operation

A.L. Design, Inc.

1411 Military Road • Buffalo, NY 14217-1395  
Phone (716) 875-6240 • Fax (716) 875-2404  
<http://www.aldesigninc.com>